



330





Wall Basin 55 with Pedestal

 **Sphinx**



Wall Basin 80 Left Bowl

Oasis of comfort

A whole new bathroom experience is made possible by the Sphinx 330 bathroom range. With this exclusive yet accessible design, the bathroom will become an oasis of wellbeing and comfort. The design incorporates soft curves and well-balanced proportions that meet every demand of the modern lifestyle.



Wall Basin 65 Left & Right Bowls



Wall Basin 80 Right Bowl

Functional elements

Beautiful asymmetric washbasins invite the creation of special solutions. The Sphinx 330 comprises a series for people who are looking for new elements and innovative solutions that fit in with their way of life.

Infinite possibilities

The Sphinx 330 range is a special series combining aesthetic elegance with high-quality materials. It's a complete line of designer products offering limitless possibilities, while never ceasing to give top priority to functionality, comfort and wellbeing.

 Sphinx



Wall Basin 60



Wall Basin 65



Wall Hung Toilet Pan & Seat WELS 3★ 3.6L av flush
Wall Hung Bidet



Wall Basin 55

Well-balanced design

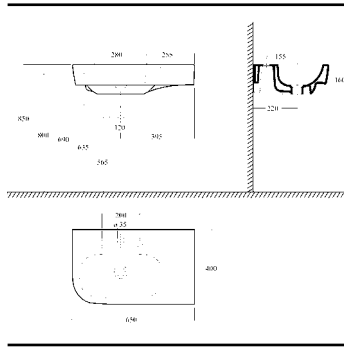
Designed with superior functionality in mind, each piece exudes an individual personality and distinct character, bringing life to any space. The complete Sphinx 330 range awakens the senses for everyday enjoyment.



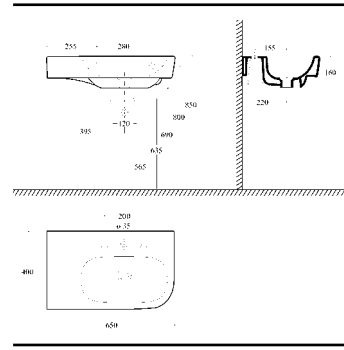
Affordable design

Compact in size, the Sphinx 330 hand basin is perfect for small guest bathrooms. The depth of the bowl makes it possible to wash hands without splashing. This piece is just another example of simplistic functionality with sophisticated and affordable design.

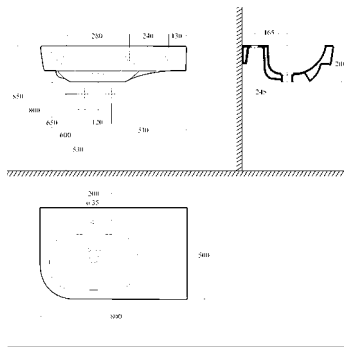
**Wall Basin 65
Left Bowl
65 x 40cm
code 105339**



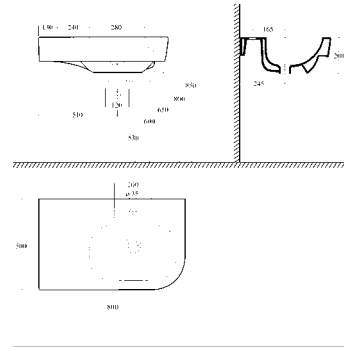
**Wall Basin 65
Right Bowl
65 x 40cm
code 105340**



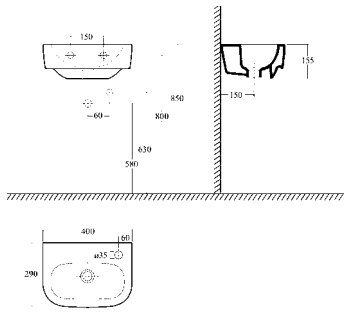
**Wall basin 80
Left Bowl
80 x 50cm
code 105341**



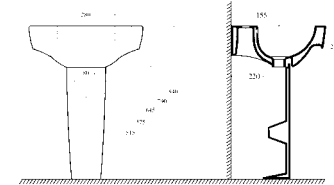
**Wall Basin 80
Right Bowl
80 x 50cm
code 105342**



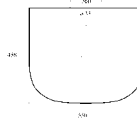
**Hand Basin 40
40 x 29cm
code 105335**



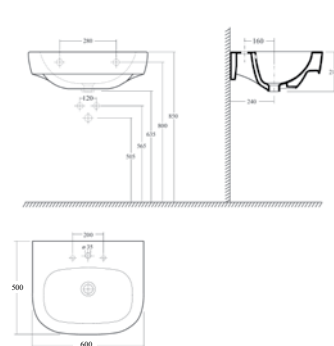
**Wall Basin 55 & 60
55 x 45.8cm
60 x 50cm
code 55 105337
code 60 105338**



**Shroud
code 105303**



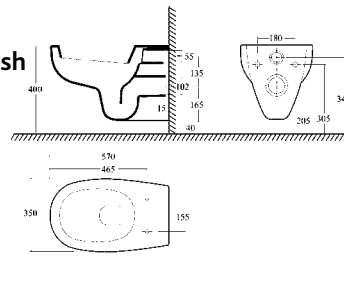
**Pedestal
code 105336**



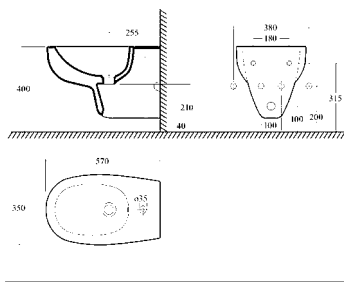
**Wall Hung
Toilet Pan & Seat
WELS 3★ 3.6L av flush
code 105346**



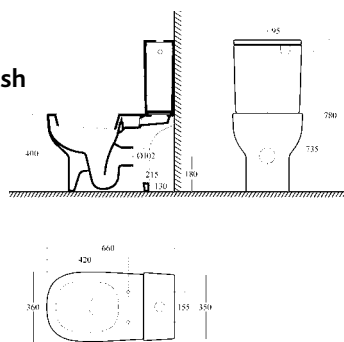
Suits Geberit In-Wall Cistern



**Wall Hung Bidet
code 105351**



**Close Coupled
Toilet Suite
WELS 3★ 3.6L av flush
code 105350**



Distributed by:

CDL
Unit B/C 50 Williamson Road
Ingleburn
NSW 2565
Tel.: 1300 658 277

Available from:

 mico

02 8354 0999
www.mico.com.au

 **Tradelink**

1800 228 476
www.tradelink.com.au

 DARWIN PLUMBING SUPPLIES

08 8947 1555

 **H&L**
BUILDERS SUPPLIES

07 5578 2933

Warranty

All Sphinx products carry a comprehensive 5 year guarantee on ceramic, 2 years on flush valves and float taps and 1 year on seats, from date of purchase, provided they are installed according to our specifications, by a licensed plumber.

All information contained in this brochure should serve as a guide only and is subject to change without notice. Crane Distribution Limited does not invite any person to act or rely upon such information and liability for such information is excluded. Without limitation colours, styles and brands shown in this brochure are indicative only and should not be relied upon. No representation is made regarding the types of use or availability of such items from Crane Distribution Limited stores. Ancillary products in this brochure such as tapware, bathroom furniture and bathroom accessories are shown for marketing purposes only and may not be available in Australia.

Tradelink, Mico Design H&L and Darwin Plumbing Supplies are business names of Crane Distribution Limited, ABN 29 000 003 832, National Support Office, 1051 Nudgee Road, Banyo, QLD 4014. © Crane Distribution Limited

© Koninklijke Sphinx BV
03/08.

Reorder code: 105850